



 **SYSOLUTION**

S60E

A 2-in-1 video processor

Specification

Version: Ver.1.0

Statement

Dear user friend, thanks for choosing SHENZHEN SYSOLUTION TECHNOLOGY CO.,LTD referred to as Xixun Technology) as your LED advertising equipment control system. The main purpose of this document is to help you quickly understand and use the product. We strive to be precise and reliable when writing the document, and the content may be modified or changed at any time without notice.

Copyright

The copyright of this document belongs to Xixun Technology. Without the written permission of our company, no unit or individual may copy or extract the content of this article in any form.

Trademark



is a registered trademark of Xixun Technology.

Update Record

No.	Version	Updates	Revision Date
1	Ver.1.0	Initial Release	2023.11.10

The document is subject to change without prior notice.

SHENZHEN SYSOLUTION TECHNOLOGY CO., LTD

Product Introduction

S60E is an easy-to-operate, feature-rich pure hardware device developed for LED displays.

It supports 4K high-definition interface input. It integrates professional display control technology and powerful video processing capabilities, simplifying the construction of video processors in the on-site environment. Adopting a high-performance image processing chip; with advanced interlaced image adaptive processing technology and ultra-clear noise reduction engine to eliminate image motion tailing and aliasing, video image enhancement technology, the image is clearer and more delicate, with rich details, full colors, and high image quality Stabilize.

Applicable scene

S60E is suitable for various application scenarios such as small and medium-sized LED displays in shopping malls, hotels, exhibitions, and TV studios.



Function & Features

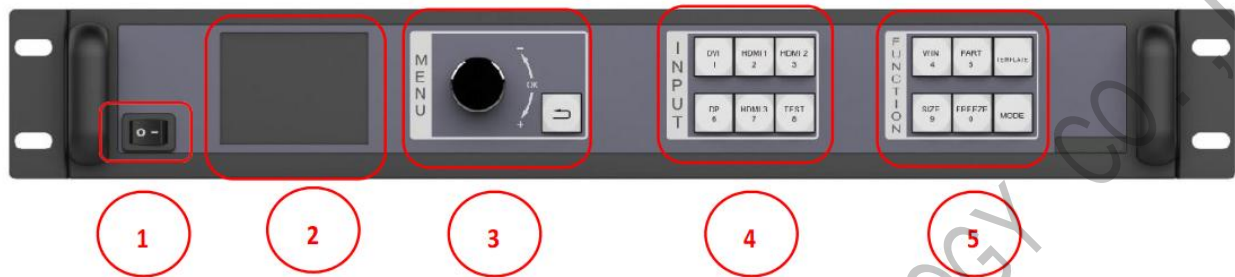
1. A single machine carries 7.8 million pixels, with customized output resolution, with a maximum horizontal output width of 8192 pixels and a maximum vertical output of 3840 pixels.
2. 4 The screens are displayed simultaneously.
3. Audio and video switching/volume adjustment.
4. Input ports: DVI*1, HDMI*2, DP*1, HDMI (built-in)*1, audio*1.
5. Template saving and loading.
6. Seamless switching of multiple images and seamless switching of single layers.
7. Time task list.
8. Black screen with one click.
9. Built-in test chart.
10. USB upgrade.
11. Key lock.

Loading Capacity

Loading capacity	One Ethernet port	650,000 pixels
	One machine	7.8 million pixels
Widest	One machine	8192
Highest	One machine	3840

Interface Definition

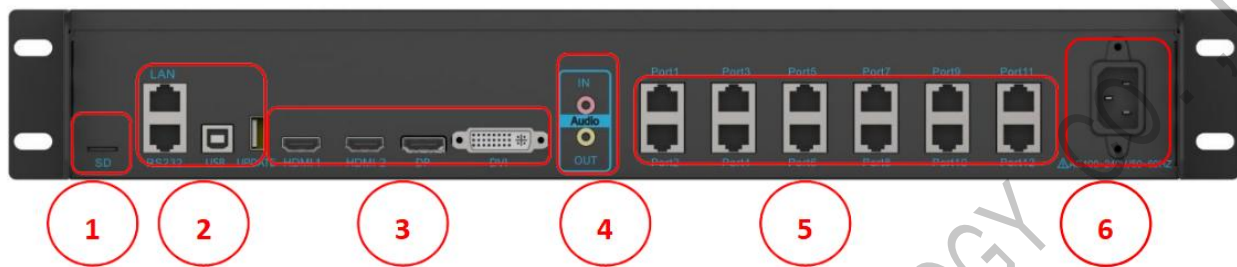
Front Panel



NO.	Key	Description	
1	power switch	power on/off device	
2	LCD	display Menu	
3	operation key	knob key to select Menu return key	
4	Input source switch key	DVI	DVI Inuput/Digital Key 1
		HDMI1	HDMI1 Inuput/Digital Key 2
		HDMI2	HDMI2 Inuput/Digital Key 3
		DP	DP Inuput/Digital Key 6
5	Function key	Win	Layer /Digital Key 4
		Part	PartandFull/Digital Key 5
		TEMPLATE	Multi screen template shortcut key
		SIZE	Resize screen shortcut keys/ Digital Key 9

		FREEZE	Black screen key/Digital Key 0
		MODE	Load scene shortcut key

Rear Panel



Input Interface			
NO.	Interface type	Number	Instruction
3	DVI	1	1920x1080/60HZ、 3840*540/60HZ 及 ID management
	HDMI1	1	1920x1080/60HZ 、 3840*1080/60HZ 及 EDID management
	HDMI2	1	1920x1080/60HZ 、 3840*1080/60HZ 及 EDID management
	HDMI built in	1	1920x1080/60HZ 、 3840*1080/60HZ 及 EDID management
	DP	1	1920x1080/60HZ 、 3840*2160/60HZ 及 EDID management
Output Interface			
NO.	Interface type	Number	Instruction
5	Gitbyte Network	12	Type : RJ45 speed: 1000BaseTX

	port		support receiver: D60series receiver
Audio Interface			
NO.	Interface type	Number	Instruction
4	AUDIO IN	1	3.5mm Audio interface input
	AUDIO OUT	1	3.5mm Audio interface output
Processor Control Interface			
NO.	Interface type	Number	Instruction
2	UPDATE	1	USB upgrade port
	USB	1	Sending card debug port, communicate with LEDset4.0 software
	LAN1	1	100Mbps network communication interface (reserved interface)
	RS232	1	serial port interface
Expand Function Interface			
NO.	Interface type	Number	Instruction
1	SD card	1	Install SD card to store large screen configuration parameters for data inspection
Power Interface			
NO.	Interface	Number	Instruction

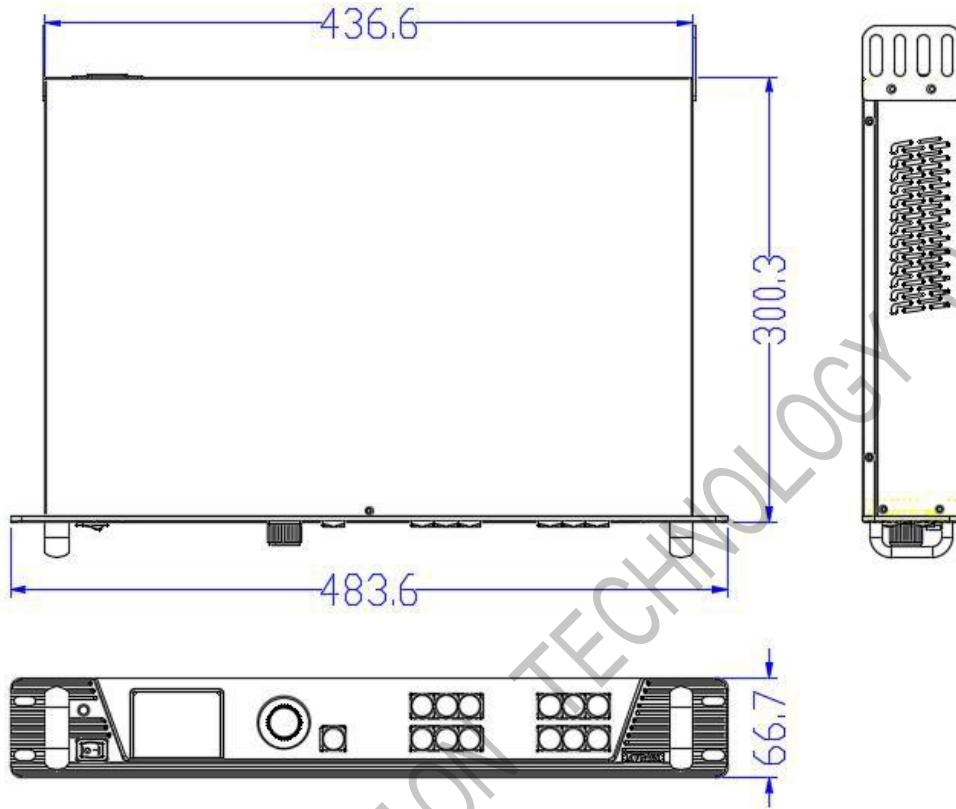
	type		
6	Power port	1	AC power in 100V~240V

SHENZHEN SYSOLUTION TECHNOLOGY CO., LTD

Working Parameters

Electrical parameters	Input voltage	AC-100-240V-50/60HZ
	Power rating	25W
Working atmosphere	Working temperature	0-45°C
	Working humidity	10%RH-90%RH No solidification
Outline dimension	Case size: 483.6x300.3x66.7mm (length x Wide x high)	
Net weight	5KG	
Packaging information	Accessory	1×Certificate、1×DP cable、1×HDMI cable、1×DVI cable、1×USB2.0 cable、1×Power line
	Outer container	515×130×380mm

Dimensions



Unit: mm

Notes

1. The installation process must be completed by the professionals.
2. It must be anti-static.
3. Please pay attention to waterproof, dust removal

SHENZHEN SYSOLUTION TECHNOLOGY CO., LTD